

**CERTIFICATE**  
**EU Type – Examination****According to Directive 2014/33/EU, (Module B, annex IV)**  
**Certificate No: LF/KSA/A-C-0179/17**

*Identification No of Certification body:* MIRTEC s.a  0437

*Name & Address of the Certificate Holder of the Manufacturer:* **DELTATEK** ELEVATOR SAN. TİC. LTD. ŞTİ.  
İMES SANAYİ SİTESİ C BLOK 308 SOKAK No:6 YUKARI  
DUDULLU ÜMRANİYE 34776 / İSTANBUL / TÜRKİYE

*Date of Submission for EU Type-Examination :* **10/08/2017**

*Product of Safety Component:* **Landing door locking device**

*Type:* **YKDK02A**

*Applicable Standards:* 2014/33/EU, annex I, IV  
EN81-50:2014 5.2  
EN81-20:2014 5.3.8, 5.3.9, 5.3.10

*Examination Period:* August-December 2017

*Date & No of examination report:* LF/KSA/A-R-0179/17, 07/12/2017

*Test Laboratory :* MIRTEC S.A.

*Place of testing:* ÇERKEŞLİ OSB MAH. İMES OSB 18. CAD. A4/2 No.  
41/2 DİLOVASI /KOCAELİ / TÜRKİYE  
7/12/2017 , GTL- ENV-173/17 (GTLS-694)

*Date & No of laboratory Report:*

*Documents annexed to the Certification:* Product description, Drawings ,Installation & Maintenance instructions, Material list

*Field of application :* Semi-automatic landing doors for lift  
Electrical power supply: 230V AC - 1.0A

**Validation conditions / Additional instructions:**

The production of car door locking device is under the surveillance of the certification body.  
For all changes the certificate holder must inform the certification body.

**Result of the examination - Declaration:**

**Herewith we certify that the type of the product mentioned above, meets the basical requirements of the relevant Directive and Norms for the mentioned Field of application.**

Only the products detailed in the test report have been subjected to tests.

*Date of issue:***13.12.2017**

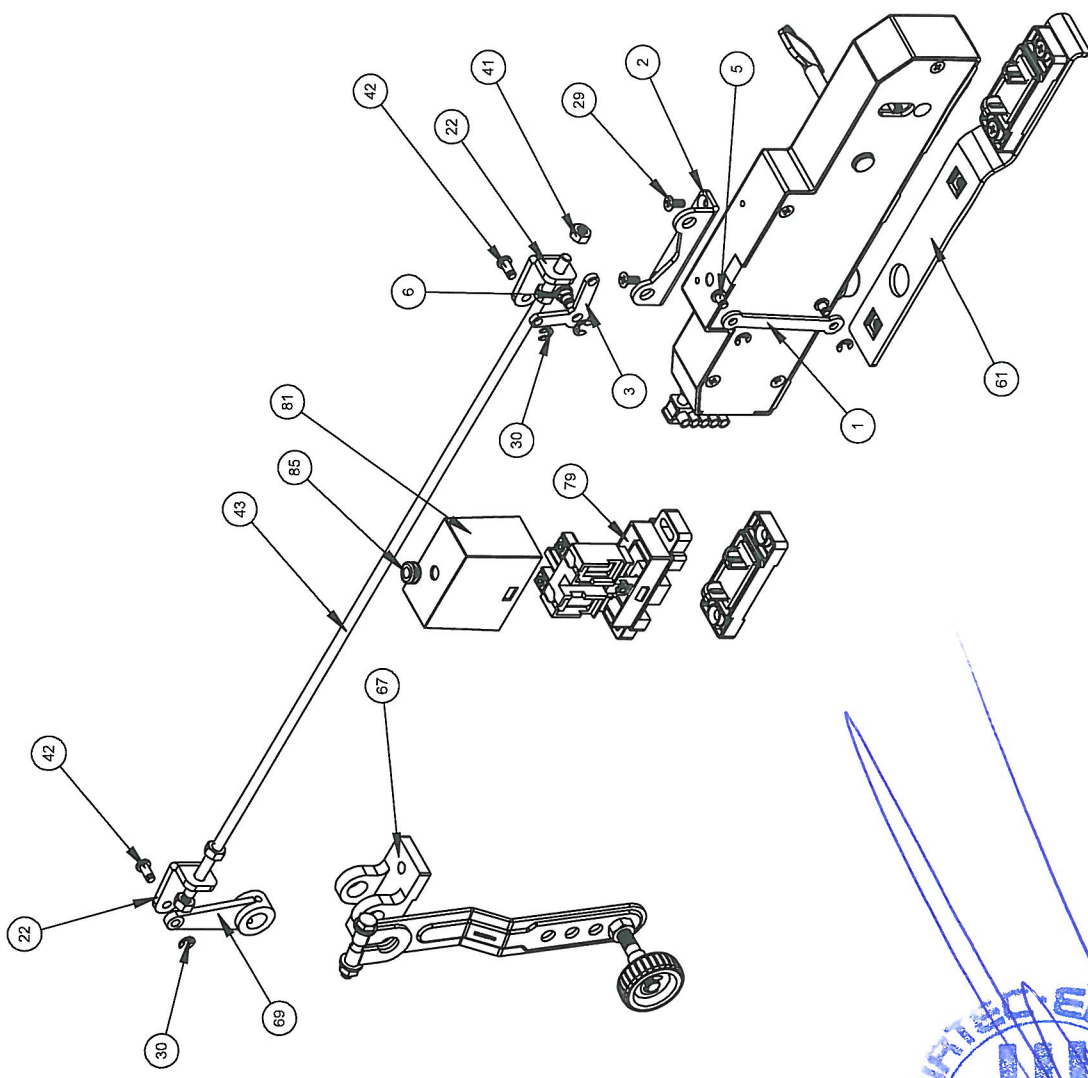
For EBETAM A.E

  
I. DIMITRIADIS  
Director of Athens Office

Certification department for lifts

  
C. SPILIOPOULOS  
Inspector of LiftsEBETAM A.E.  
CERT - safecomp / EN 02 (5.0 / 24.10.2016)  
AET :29350

ITEM NO.	PART NUMBER	QUANTITY
1	DM00611 (YKDK02A-Manevela Handle)	1
2	DM00610 (YKDK02A-Manevela Body)	1
3	DM00612 (YKDK02A-Manevela Fork Arm)	1
4	DM00609 (YKDK02A-Manevela Pin 1)	1
5	DM00614 (YKDK02A-Manevela Pin 2)	1
6	DM00615 (YKDK02A-Manevela Pin 3)	1
7	DM00601-Left (DK02A-Alum Sol Box)	1
8	DM00602 (DK02A-Language)	1
9	DM00605 (DK02A-Distance Spindle)	1
10	Yellow DM00113-Language Contact	1
11	DM00112-Square Stamps	2
12	DM00613 (DK02A Language Screw)	6
13	DM00617 (YKDK02A-Arm Shaft)	1
14	DM00603 (DK02A-Sleeve)	1
15	DM00607 (Bushing Bearing_DK02A-plug ignition)	4
16	DM00606 (DK02A-plug ignition Bearing Bushing)	4
17	DM01818-plug ignition Spring Fixing Plate	4
18	DM00114-Language Contact Bridge	1
19	DM00604 (DK02A-Lock Spindle)	1
20	DM00525-Lock Switch	1
21	DMISK02-5, 5mm Muscadine	1
22	DM00620 (YKDK02A Stud Angle)	2
23	DP00607 (DK02A-Language Contact Body)	1
24	DP00609 (DK02A-plug ignition Body)	2
25	DP00605 (DK02A-Language plastic)	1
26	DP00606 (DK02A-Language Spring Bed)	1
27	DP00603 (DK02A-plug ignition Storage)	2
28	M4X10 YHB (ISO 7046-1)	4
29	M4 AS (DIN 6799)	4
30	M5 AS (DIN 6799)	4
31	M4 TP (DIN 6798)	2
32	M4 TP (DIN 6798)	2
33	YHB M4x16 (ISO 7046-1)	4
34	YTD M4x6	4
35	2,9 x6, 5 YHB	1
36	YHB M3x8 (ISO 7046-1)	1
37	M6X10 YHB	2
38	2,9 x8, 5 YTD	6
39	M9 AS (DIN 6799)	1
40	M4X20 YTD (ISO 7045)	1
41	M6 S	4
42	DM00618 (YKDK02A-Manevela Pin 4)	2
43	M6 SPM	1
44	DG00103-Ignition Silver	4
45	Silver DK02A-plug ignition	4
46	DP00516-Locking Shaft Buffer	2
47	9X1, 5 O-Ring	2
48	DY01802-Language Plastic Contact Spring	1
49	DY00503-DK01 Language Spring	1
50	Collective Men's 5-terminal	1
51	Mass female 5-terminal	1
52	4 luxury Terminal	1
53	DK02A-Plug Ignition Cable-1	1
54	DK02A-Plug Ignition Cable-2	1
55	DK02A-Language Ignition Cable-1	1
56	DK02A-Language Ignition Cable-2	1
57	DK02A-Ground Wire	1
58	DM00530-Key Provisions	1
59	DM00530-YKDK01-02 provision Manevela Body	1
60	DM00511-Fork Shaft	1
61	Part of DM00531-YKDK01-02 provision Manevela	1
62	4X20 Slotted Pin	1
63	Mass DK01-02 Arm	1
64	DP00613 (YKDK02A-F.K.Y.Kil Kut.Alt)	1
65	Chipboard Screw 3,5 X13 YHB	1
66	DK02A-Batch Voucher Contact Bridge	1
67	DP00612 (YKDK02A-F.K.Y.Kilft Box)	1
68	Spring DK02A-plug ignition	2
69	ISO 7045 - M4 x 16 - Z - 16S	1
70	M4 S	1
71	DL00502-Small Grommet	1



13/12/2017

PART WEIGHT		171 Gr	
KOD	DM00515/A	STAGE PROCESS	Introduction to Quality Control
PRODUCT NAME	YKDK02A Lock Striker Plate	CONT. METHOD	Calliper / Eye
MATERIAL	DKP3237	TOLERANCE	The figure in the picture
DATE OF PUBLICATION	04/06/2013	CONT. FREQUENCY	1/50
REV. NO / DATE		NO PICTURE	M-515/A
SCALE	1/1	APPROVAL	

